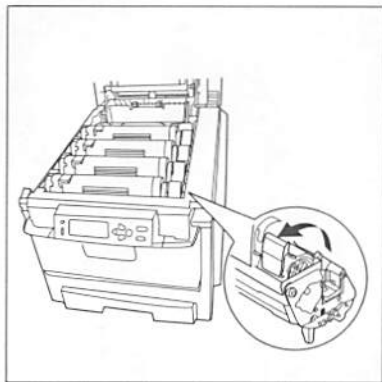


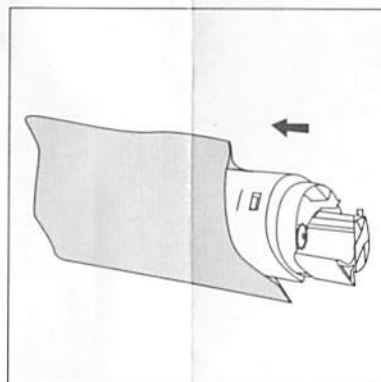
INSTALLATION GUIDE



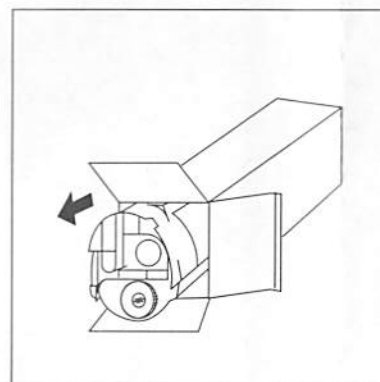
1. Turn handle to unlocking position.



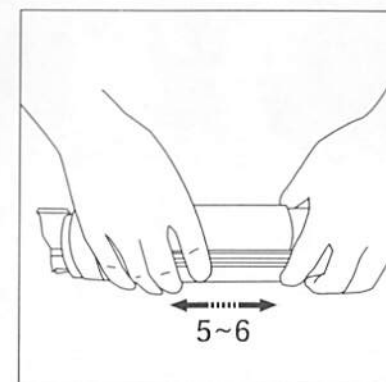
2. Remove the used toner kit.



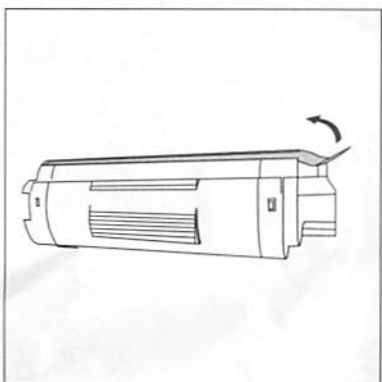
3. Place the used toner kit into the enclosed bag.



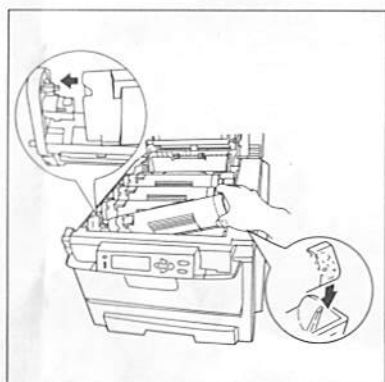
4. Take out new toner kit from its packaging.



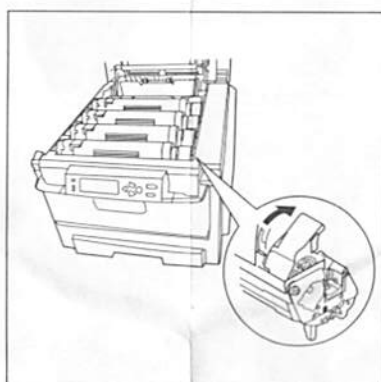
5. Shake toner kit 5~6 times right and left.



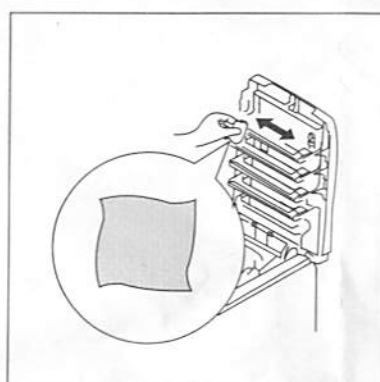
6. Tear off a white stripe.



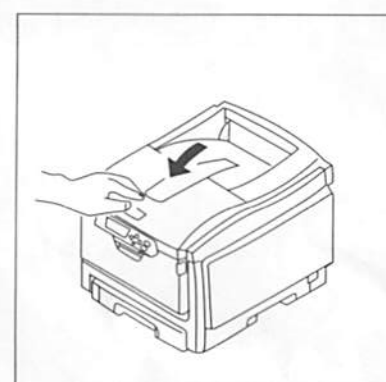
7. Install new toner kit into developer.



8. Turn handle till it can't be turned any more, lock toner kit on developer.



9. Use cloth enclosed to clean LED lamp in machine.



10. Close top cover.